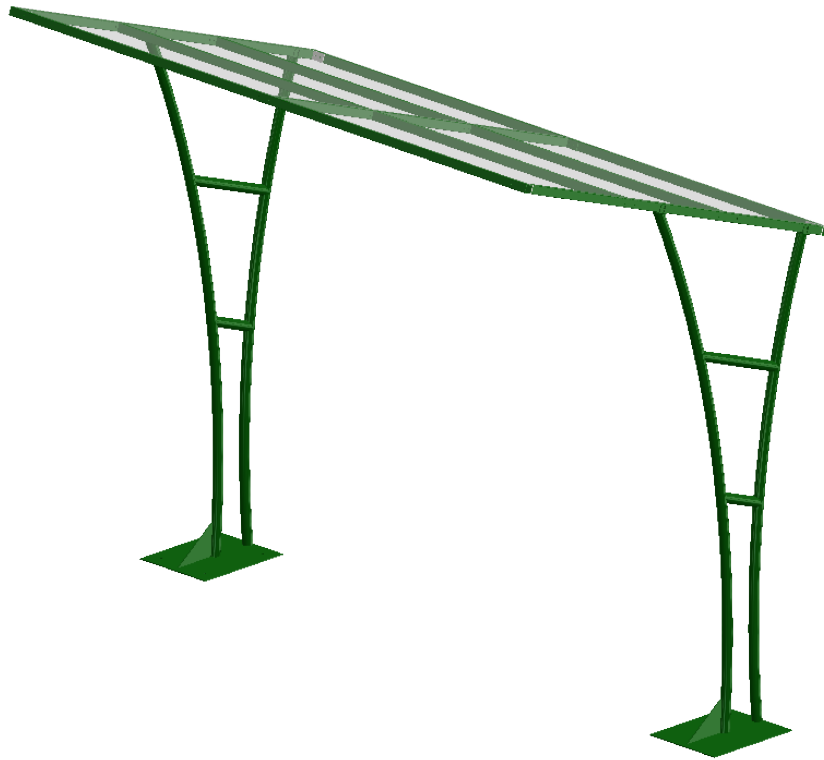


Assembly Instructions

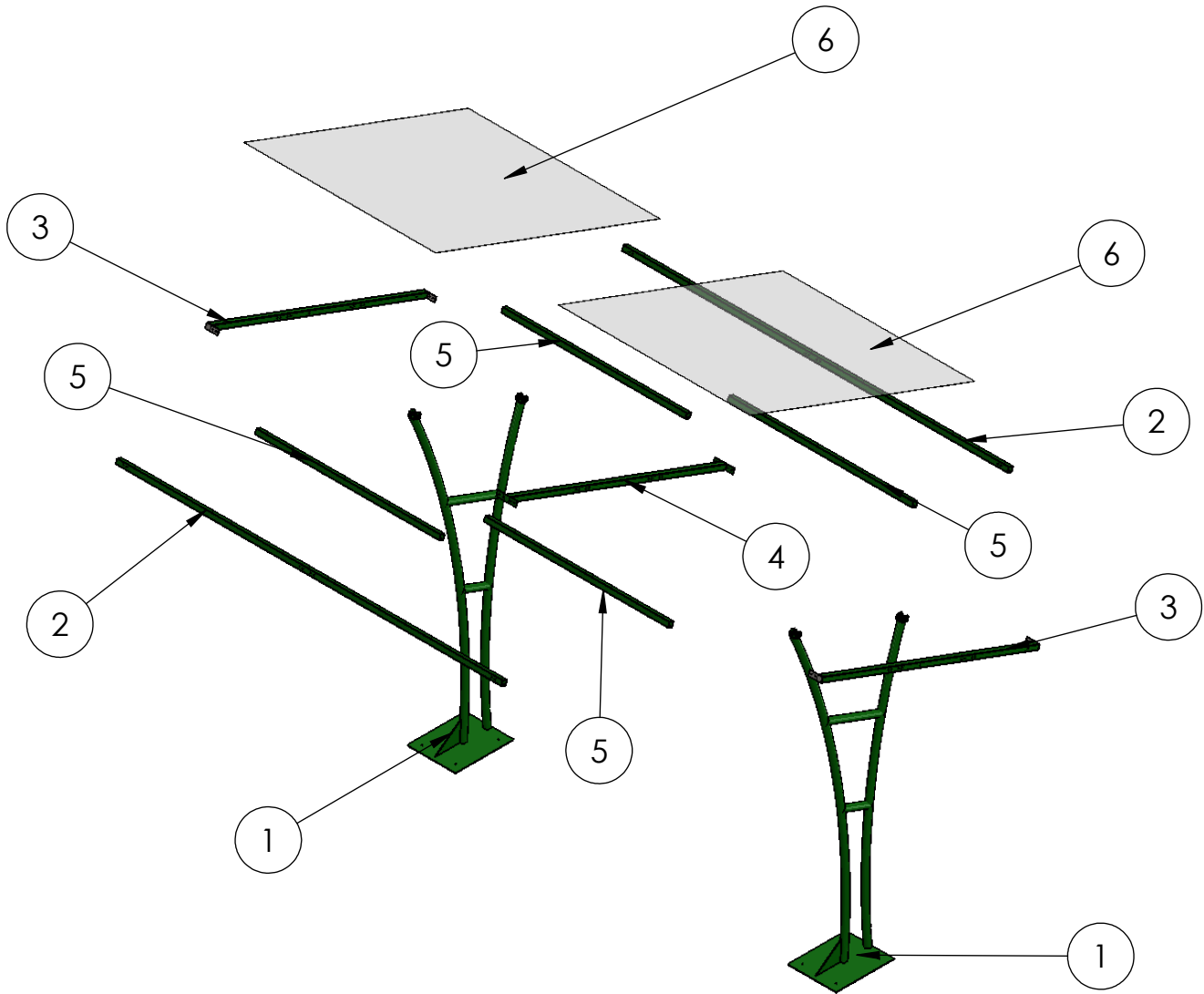


Email : Sales@shelters4less.co.uk
Web : www.shelters4less.co.uk
Tel : 0800 160 1002

Shelter type: York 4m

SR0087-01-27022017-UK

Exploded View



Tools required: (Not supplied)

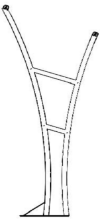
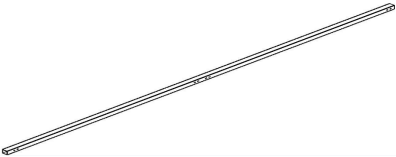
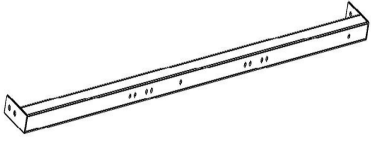
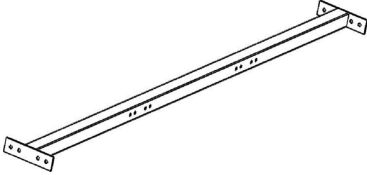
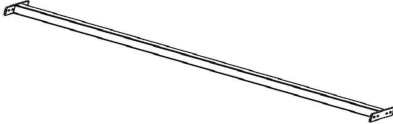
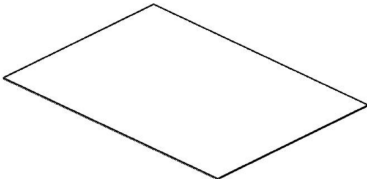


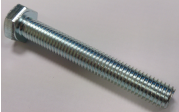





Drill/Screwdriver



Socket set

PARTS LIST & FITTINGS

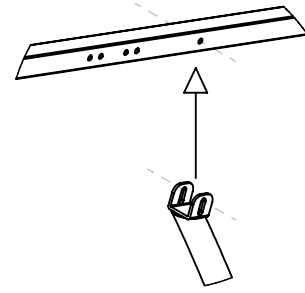
ITEM NO.	Part No.	PART NAME	Part No	Default/QTY.
1	PL1	Leg		2
2	FRB	3950 BEAM - for 4m peveril only		2
3	EFB	2375 L BAR		2
4	CFB2	2375 T BAR		1
5	CFB1	1900 T BAR		4
6	RP	ROOF PANEL		2

Fittings	M10 x 100 Anchor Bolt	M10 x 80 Hex head bolt	M10 Nuts	M10 Standard Washers	M12 Standard Washers	25mm Tech screws
QTY.	8	44	44	88	8	119
Image						

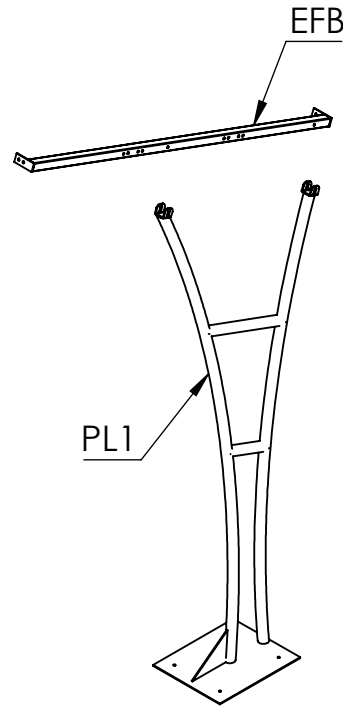
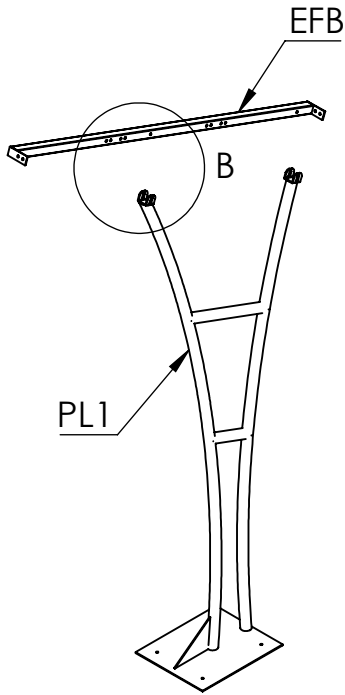
Black plastic caps will be supplied with shelter to cover bolt ends.

Step 1 Attach Both EFB End Bars to PL1 Legs.

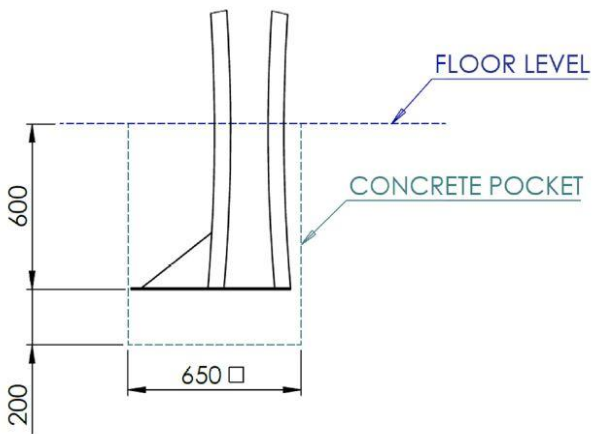
2 people recommended to fit this shelter.



DETAIL B
SCALE 1 : 16

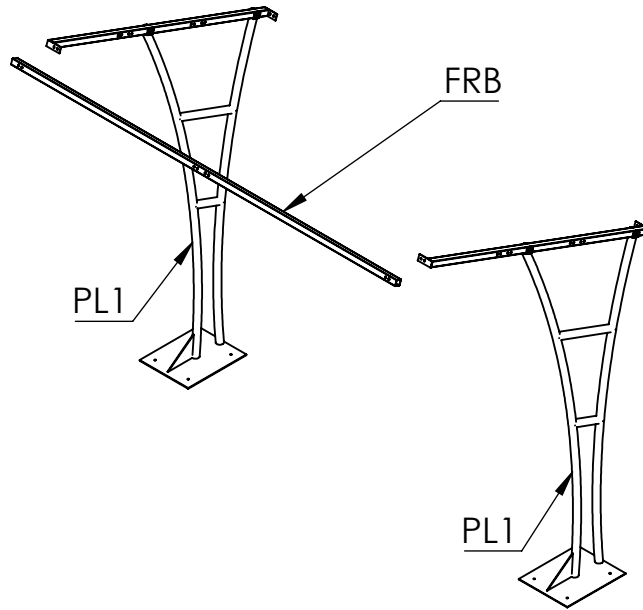


Recommended Base:

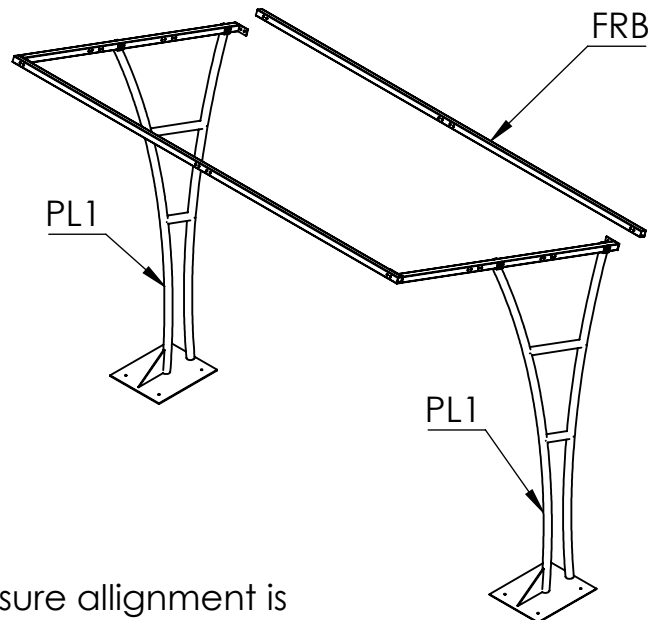


Note: Move legs to desired location (shelter must be sub surfaced 800mm minimum). Fix the central post in place and build the rest of the shelter from this point.

Step 2 Loosely fasten **FRB Front/Rear Bar** to **PL1 legs**, this gives you the outside post positions.

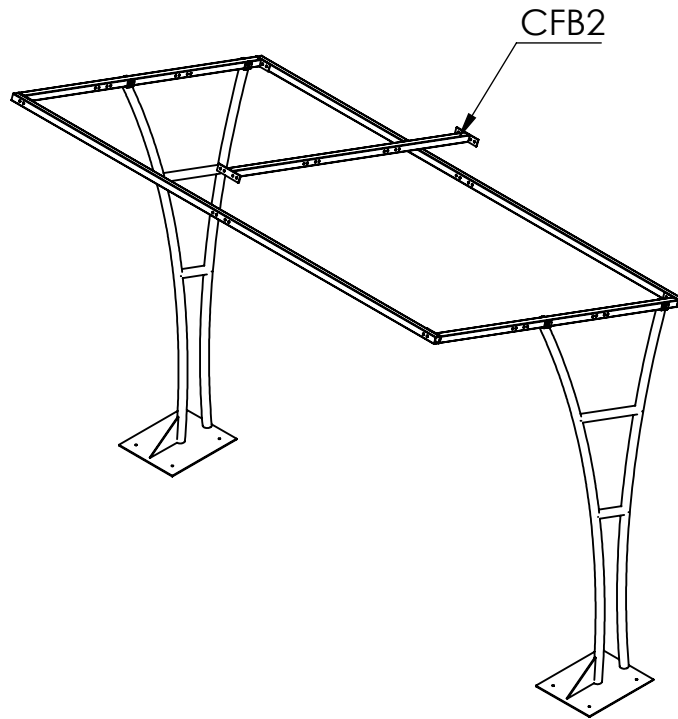


Step 3 Do the same for the rear of the shelter and secure the foot plates in position.

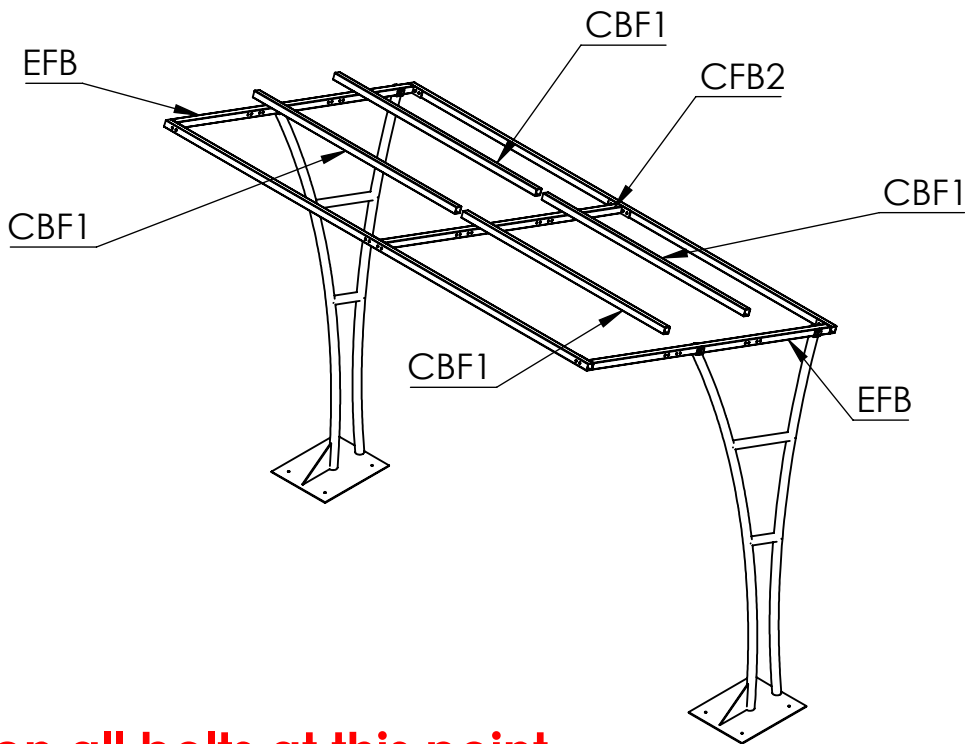


Note: Make sure alignment is correct

Step 4 Bolt the **CFB2 Central Frame Bar 2** to **FRB Side Frame Bars**.

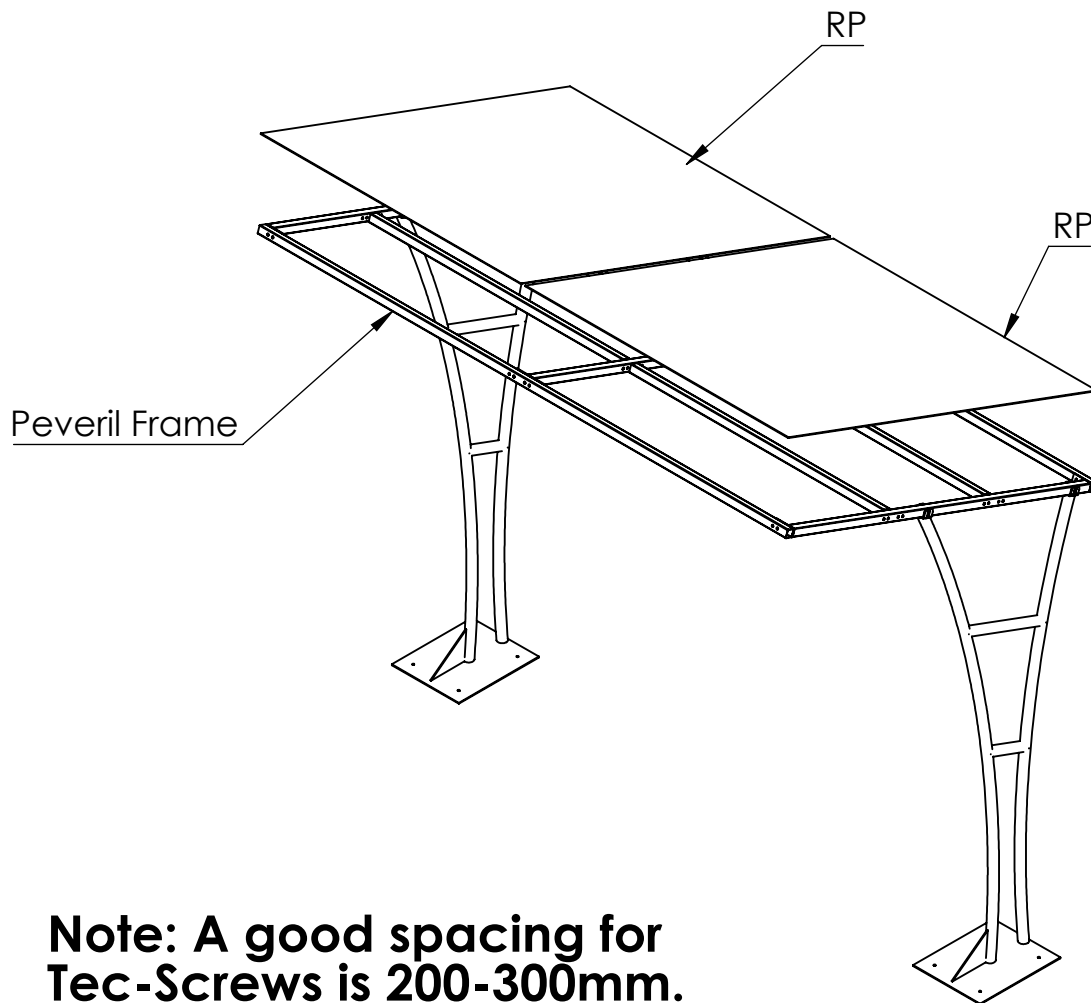


Step 5 Secure all **CFB1 Central Frame Bars** to the **CFB2 Central Frame Bars 2** & **EFB End Frame Bars**



Tighten all bolts at this point and make sure shelter is secure.

Step 6 Finally screw the **RP Roof Panel** to the top of the frame spacing each section evenly between front, rear, left and right.



Note: A good spacing for Tec-Screws is 200-300mm.

THANK YOU FOR PURCHASING THIS PRODUCT

MAINTENANCE:

To ensure your products give you many years of use we recommend that you:

- Clean panels regularly with soapy water
- Ensure all fittings are tight (for example after a big storm)
- Touch up any exposed metal should it get scratched

CONTACT DETAILS:

Email : Sales@shelters4less.co.uk

Web : www.shelters4less.co.uk

Tel : 0800 160 1002

Shelters4Less, Unit 3, 2 Lansdowne Crescent, Bournemouth, BH1 1SA

All Parts and Fixings checked by:	
Print Name:	Signature: